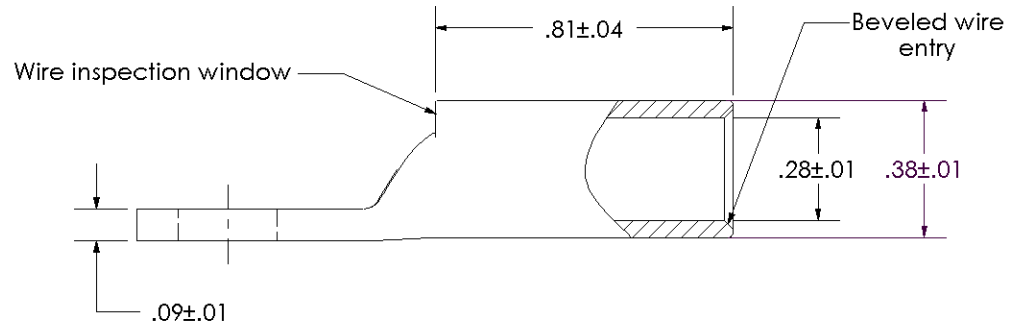
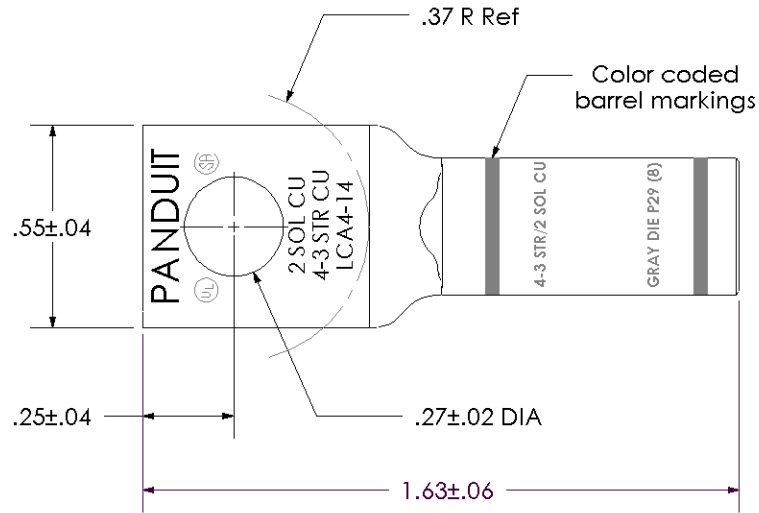


THIS COPY IS PROVIDED ON A RESTRICTED BASIS AND IS NOT TO BE USED IN ANY WAY DETRIMENTAL TO THE INTERESTS OF PANDUIT CORP.

| | |
|--|--|
| Material | High Conductivity Seamless Copper Tube |
| Plating | Electro-Tin |
| Wire Size | 4 AWG, 3 AWG & 2 SOL |
| Wire Type | Stranded Copper; Class B: Compact, Compressed or Concentric, Class C: Concentric |
| Wire Strip Length | 7/8 in. |
| Stud Size | 1/4 in. |
| UL Listed Wire Connector | Yes, for applications up to 35kv. Consult cable manufacturer for voltage stress relief instructions with applications greater than 2000 volts. |
| UL Temperature Rating | 90° C |
| C.S.A Certified Wire Connector | Yes |
| Panduit Color Code on Barrel | GRAY |
| Panduit Die Index No. on Barrel | P29 |
| Alternate Industry Die Index No. () on Barrel | (8) |



| 01 | 2/03 | SAC | PWS | EXTENDED WIRE RANGE AND UPDATED STAMPS AND MARKINGS | 10543 |
|-----|------|-----|-----|---|-------|
| REV | DATE | BY | CHK | DESCRIPTION | ECN |

PANDUIT CORP. TINLEY PARK, ILLINOIS

LCA4-14-L
Copper Lug - One-Hole, Standard Barrel

SCALE N/A DRAWING NO / CAD FILE LCA4-14-CUST